

# RIMI SEAL

## MECHANICAL SEAL

### CATALOG (2)

## contents 目录

### Mechanical seals Water pump seals 轻型机械密封



### Mechanical seals Industrial pump seals 中型机械密封





### Industrial pump seals 工业泵密封



152 WB2

36



RM GT

37



RM CH2

37

### Automotive water pump seals 汽车水泵密封件



RM FB

40



RM F

41



RM FT

42



RM K

42

### Mixer and agitators mechanical seals 搅拌机密封件



RM 206

43



RM 261

43



RM 212

43



RM 204A

43



RM 204

43

### Sealing Material 密封材料



油封  
Oil seals

44



橡胶件  
Rubber

44



碳石墨  
Graphite carbon

45



陶瓷件  
Alumina ceramic

45



碳化硅  
Silicon carbide

46



碳化钨  
Tungsten carbide

46

For more information, Pls visit us in [www.rimiseal.com](http://www.rimiseal.com)

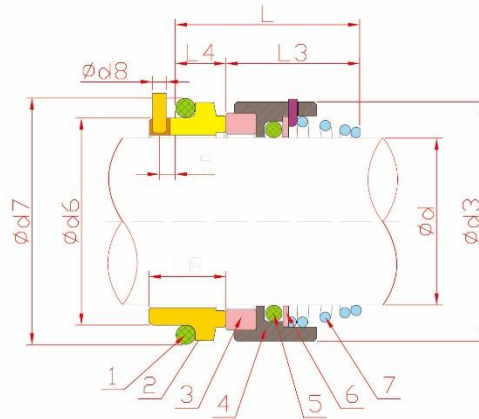
## RM Z1



RM Z1

## ■ Specification:

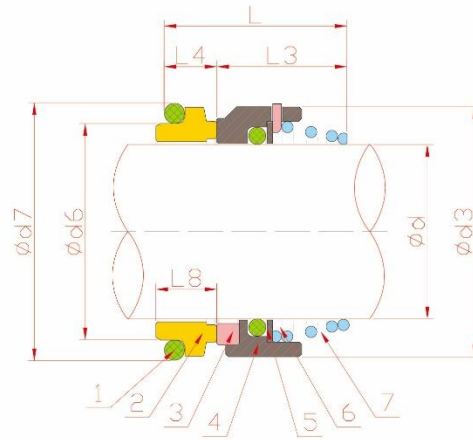
No.	配件/DESCRIPTION	材料/MATERIAL
1	O形圈/O ring	NBR / HNBR / VITON
2	静环/Stationary ring	Graphite carbon/SIC/TC
3	动环/Rotary ring	SIC/TC
4	传动套/Retainer	SUS304
5	O形圈/O ring	NBR / HNBR / VITON
6	挡圈/Closing ring	SUS304
7	弹簧/Spring	SUS304



型号	d	d3	d6	d7	d8	L	L3	L4	L8
RM Z1-16	16	30	23	27	3	37	27	10	17.5
RM Z1-18	18	32	27	33	3	37.5	27.5	10	17.5
RM Z1-20	20	34	29	35	3	37.5	27.5	10	17.5
RM Z1-22	22	36	31	37	3	37.5	27.5	10	17.5
RM Z1-24	24	38	33	39	3	40	30	10	17.5
RM Z1-25	25	39	34	40	3	40	30	10	17.5
RM Z1-28	28	42	37	43	3	42.5	32.5	10	17.5
RM Z1-30	30	44	39	45	3	42.5	32.5	10	17.5
RM Z1-32	32	46	42	48	3	42.5	32.5	10	17.5
RM Z1-33	33	47	42	48	3	42.5	32.5	10	17.5
RM Z1-35	35	49	44	50	3	42.5	32.5	10	17.5
RM Z1-38	38	54	49	56	4	45	32	13	20
RM Z1-40	40	56	51	58	4	45	32	13	20
RM Z1-43	43	59	54	61	4	45	32	13	20
RM Z1-45	45	61	56	63	4	45	32	13	20
RM Z1-48	48	66	59	66	4	45	32	13	20
RM Z1-50	50	68	62	70	4	47.5	33.5	14	21
RM Z1-55	55	71	67	75	4	47.5	33.5	14	21
RM Z1-60	60	80	72	80	4	52.5	38.5	14	21
RM Z1-65	65	85	77	85	4	52.5	38.5	14	21
RM Z1-70	70	90	83	92	4	60	44	16	22
RM Z1-75	75	93	88	97	4	60	44	16	22
RM Z1-80	80	100	95	105	4	60	42	18	24.5
RM Z1-85	85	105	100	110	4	60	42	18	24.5
RM Z1-90	90	110	105	115	4	65	47	18	24.5
RM Z1-95	95	115	110	120	4	65	47	18	24.5
RM Z1-100	100	120	115	125	4	65	47	18	24.5



## RM Z2



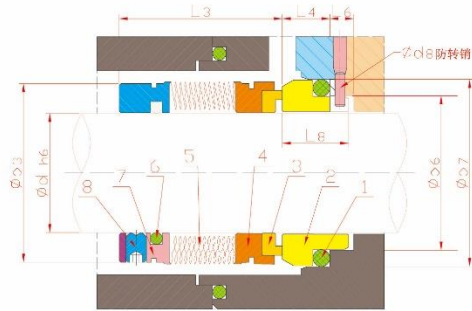
### Specification:

No.	配件/DESCRIPTION	材料/MATERIAL
1	O形圈/O ring	NBR / HNBR / VITON
2	静环/Stationary ring	Graphite carbon/SIC/TC
3	动环/Rotary ring	SIC/TC
4	传动套/Retainer	SUS304
5	O形圈/O ring	NBR / HNBR / VITON
6	挡圈/Closing ring	SUS304
7	弹簧/Spring	SUS304

型号	d	d3	d6	d7	L	L3	L4	L8
RM Z2-12	12	19.7	16.5	20.6	23.5	18	5.5	7
RM Z2-14	14	22.6	19	23.1	28	22	6	8
RM Z2-15	15	23.8	21	26.9	29	22	7	8
RM Z2-16	16	25.5	21	26.9	30	23	7	8
RM Z2-17	17	26.5	21	26.9	30	23	7	8
RM Z2-18	18	28.5	25	30.9	32	24	8	9.3
RM Z2-19	19	29.5	25	30.9	33	25	8	9.3
RM Z2-20	20	29.5	25	30.9	33	25	8	9.3
RM Z2-22	22	34	30	35.4	33	25	8	9.3
RM Z2-24	24	34.5	30	35.4	35	27	8	9.3
RM Z2-25	25	37	33	38.2	35.5	27	8.5	10
RM Z2-26	26	37.5	33	38.2	35.5	27	8.5	10
RM Z2-28	28	41.5	38	43.3	38	29	9	11
RM Z2-30	30	44.6	38	43.3	39	30	9	11
RM Z2-32	32	44.6	38	43.3	39	30	9	11
RM Z2-35	35	49.5	45	53.5	50.5	39	11.5	14.3
RM Z2-38	38	54	52	60.5	50.5	39	11.5	14.3
RM Z2-40	40	56	52	60.5	50.5	39	11.5	14.3
RM Z2-42	42	58.5	52	60.5	50.5	39	11.5	14.3
RM Z2-45	45	63.5	57	65.5	52.5	41	11.5	15.2
RM Z2-48	48	65.5	57	65.5	52.5	41	11.5	15.2
RM Z2-50	50	68	64	72.5	56.5	45	11.5	15.2
RM Z2-55	55	73.5	64	72.5	58.5	47	11.5	15.2
RM Z2-60	60	79	72	79.3	60.5	49	11.5	18.2
RM Z2-65	65	86	77	84.5	62.5	51	11.5	18.2



# RM M85



RM M85

**Specification:**

No.	配件/DESCRIPTION	材料/MATERIAL
1	O形圈/O ring	VITON
2	静环/Stationary ring	SIC/TC
3	动环/Rotary ring	SIC/TC
4	传动套/Retainer	SUS304
5	弹簧/Spring	SUS304
6	O形圈/O ring	VITON
7	弹簧座/Spring seat	SUS304
8	固定螺钉/Screw	SUS304

**Application:**

压力: 0~2.5MPa  
 线速度: ≤15米/秒  
 温度: -20℃ ~ 300℃

Pressure : 0~2.5MPa  
 Speed : ≤15米/秒  
 Temperature : -20℃ ~ 300℃

型号	d	d3	d6	d7	d8	L3	L4	L8
RM M85-16	16	30	23	27	3	32.5	10	17.5
RM M85-18	18	32	27	33	3	30.5	7	14
RM M85-20	20	33.5	29	35	3	30.5	7	14
RM M85-22	22	36.5	31	37	3	30.5	7	14
RM M85-24	24	39	33	39	3	28.5	11.5	19.5
RM M85-25	25	39.6	34	40	3	28.5	11.5	19.5
RM M85-28	28	42.8	37	43	3	31	11.5	19.5
RM M85-30	30	45	39	45	3	31	11.5	19.5
RM M85-32	32	46	42	48	3	31	11.5	19.5
RM M85-33	33	48	42	48	3	31	11.5	19.5
RM M85-35	35	49.2	44	50	3	31	11.5	19.5
RM M85-38	38	52.3	49	56	4	31	14	22
RM M85-40	40	55.5	51	58	4	31	14	22
RM M85-43	43	57.5	54	61	4	31	14	22
RM M85-45	45	58.7	56	63	4	31	14	22
RM M85-48	48	61.9	59	66	4	31	14	22
RM M85-50	50	65	62	70	4	32.5	15	23
RM M85-55	55	70	67	75	4	32.5	15	23
RM M85-60	60	74.6	72	80	4	37.5	15	23
RM M85-65	65	84.1	77	85	4	37.5	15	23
RM M85-70	70	87.3	83	92	4	42	18	26
RM M85-75	75	95	88	97	4	42	18	26
RM M85-80	80	98.4	95	105	4	41.8	18.2	26.2
RM M85-85	85	104.7	100	110	4	41.8	18.2	26.2
RM M85-90	90	111	105	115	4	46.8	18.2	26.2
RM M85-95	95	114	110	120	4	47.8	17.2	25.2
RM M85-100	100	117.4	115	125	4	47.8	17.2	25.2

RM 58U

RM 59U



RM 58U

RM 59U

Specification:

No.	配件/DESCRIPTION	材料/MATERIAL
1	O形圈/O ring	NBR / VITON/PTFE
2	静环/Stationary ring	Alumina ceramic/SiC
3	动环/Rotary ring	Graphite carbon/SiC
4	卡簧/Circlip	SUS304
5	O形圈/O ring	NBR / VITON/PTFE
6	挡圈/Closing ring	SUS304
7	弹簧/Spring	SUS304
8	传动套/Retainer	SUS304
9	固定螺钉/Screw	SUS304

Application:

压力: 0~1.2MPa  
 线速度: <20米/秒  
 温度: -20℃~120℃

Pressure: 0~1.2MPa  
 Speed: <20M/S  
 Temperature: -20℃~120℃

Design Feature:

- a.非平衡机械密封件。多弹簧和动环能够配套安装。
  - b.按照 ISO3069,DIN4960和 BS5257-1975标准,能替换JOHN CRANE 59U密封件。
  - c.PTFE圆形圈被o'ring替代时,型号为RM58U
  - d.包括BP静环在内,其他JOHN CRANE 静环也能被使用。
- a.It is a unbalanced mechanical seal. Multiple spring and the rotary ring can be assembled together.
  - b.Conform to ISO3069,DIN24960 and BS5257-1975 standards,can replace the John 59U mechanical seal.
  - c.If PTFE conical ring is replaced by the O-ring, the type is named RM58U.
  - d.Beside the BP stationary ring,other types stationary ring of John Crane can also be used.



型号	d	d3	d6	d7	d8	L	L3	L4	L8	L9	L10	L11	L12
RM 58U-14	14	24	21	25	2	35	23	12	18	12.5	6.5	4	9
RM 58U-16	16	26	23	27	2	35	23	12	18	12.5	6.5	4	9
RM 58U-18	18	32	27	33	3	37.5	24	13.5	20	14.5	7.5	5	10
RM 58U-20	20	34	29	35	3	37.5	24	13.5	20	14.5	7.5	5	10
RM 58U-22	22	36	31	37	3	37.5	24	13.5	20	14.5	7.5	5	10
RM 58U-24	24	38	33	39	3	40	26.7	13.3	19.8	14.5	7.5	5	10
RM 58U-25	25	39	34	40	3	40	27	13	19.5	14	7.5	5	10
RM 58U-28	28	42	37	43	3	42.5	30	12.5	19	13.5	8.5	7.5	11
RM 58U-30	30	44	39	45	3	42.5	30.5	12	18.5	13	8.5	7.5	11
RM 58U-32	32	46	42	48	3	42.5	30.5	12	18.5	13	8.5	7.5	11
RM 58U-33	33	47	42	48	3	42.5	30.5	12	18.5	13	8.5	6.5	11
RM 58U-35	35	49	44	50	3	42.5	30.5	12	18.5	13	8.5	6.5	11
RM 58U-38	38	54	49	56	4	45	32	13	18.5	14	8.5	8	11
RM 58U-40	40	56	51	58	4	45	32	13	19.5	14	8.5	8	11
RM 58U-43	43	59	54	61	4	45	32	13	19.5	14	8.5	8	11
RM 58U-45	45	61	56	63	4	45	32	13	19.5	14	8.5	8	11
RM 58U-48	48	64	59	66	4	45	32	13	19.5	14	8.5	5.5	11
RM 58U-50	50	66	62	70	4	47.5	34	13.5	19.5	14.5	11	6.5	14
RM 58U-53	53	69	65	73	4	47.5	34	13.5	20	14.5	11	5.5	14
RM 58U-55	55	71	67	75	4	47.5	34	13.5	20	14.5	11	5.5	14
RM 58U-58	58	78	70	78	4	52.5	39	13.5	20	14.5	11	7.5	14
RM 58U-60	60	80	72	80	4	52.5	39	13.5	20	14.5	11	7.5	14
RM 58U-63	63	83	75	83	4	52.5	39	13.5	20	14.5	11	7.5	14
RM 58U-65	65	85	77	85	4	52.5	39	13.5	20	14.2	11	7.5	14
RM 58U-68	68	88	81	90	4	52.5	39	13.5	20	14.2	11	7.5	14
RM 58U-70	70	90	83	92	4	60	45.5	14.5	21	15.2	11	7.5	14
RM 58U-75	75	95	88	97	4	60	45.5	14.5	21	15.2	11	7.8	14
RM 58U-80	80	104	95	105	4	60	45	15	21.5	15.7	14	7.8	17
RM 58U-85	85	109	100	110	4	60	45	15	21.5	15.7	14	7.8	17
RM 58U-90	90	114	105	115	4	65	50	15	21.5	15.7	14	7.8	17
RM 58U-95	95	119	110	120	4	65	50	15	21.5	15.7	14	7.8	17
RM 58U-100	100	124	115	125	4	65	50	15	21.5	15.7	14	7.8	17

# RM M74 (M7N)



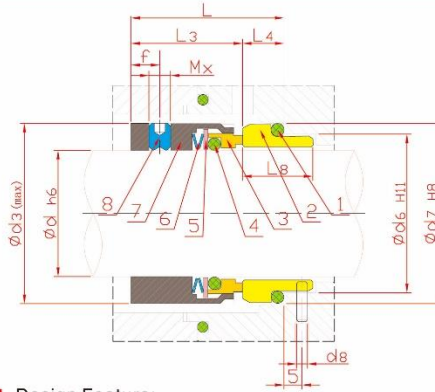
**RM M74 (M7N) H75**

**Specification:**

No.	配件/DESCRIPTION	材料/MATERIAL
1	O形圈/O ring	NBR / VITON
2	静环/Stationary ring	Graphite carbon/SIC
3	动环/Rotary ring	Graphite carbon/SIC
4	O形圈/O ring	NBR / VITON
5	挡圈/Closing ring	SUS304
6	弹簧/Spring	SUS304
7	传动套/Retainer	SUS304
8	固定螺钉/Screw	SUS304

**Application:**

压力: RM74型 < 1.6MPa, RMH75型 < 2.5MPa  
 线速度: 30米/秒  
 温度: -30℃ ~ 200℃  
 Pressure: type RM74 < 1.6MPa, type RMH75 < 2.5MPa  
 Speed: 30M/S  
 Temperature: -30℃ ~ 200℃



**Design Feature:**

- a. RM74和RMH75遵行ISO3069, DIN24960和GB6556标准。
- b. RM74为非平衡机械密封件, RMH75为平衡性机械密封件, 使用多弹簧或波浪形弹簧。
- c. 按照不同的工作环境, 密封配件能选择PTFE O形圈。 O形圈被橡胶覆盖
- d. 这个型号被广泛使用。

- A. Both Type RM74 and RMH75 Conform to ISO3069, DIN24960 and GB 6556 standards.
- b. Type RM 74 is an unbalanced mechanical seal, Type RMH75 is a balanced mechanical seal, Using multi spring or wavy spring.
- c. According to the different work conditions, sealing elements can select PTFE O-ring, which is coated by rubber.
- d. This model is very widely used.

型号	d	d3	d6	d7	d8	d11	d12	L	L3	L4	L8	L10	L11	L12	L13	L14	L28	f	Mx
RM M74-14	14	25	21	25	3	20.5	24.6	35.0	25.0	10.0	17.5	7.5	10.0	6.5	7.6	5.6	6.6	6	M5
RM M74-16	16	27	23	27	3	22.0	28.0	35.0	25.0	10.0	17.5	7.5	11.5	8.5	9.0	7.5	6.6	6	M5
RM M74-18	18	33	27	33	3	24.0	30.0	37.5	26.0	11.5	19.5	8.5	12.5	9.0	10.0	8.0	7.5	7	M5
RM M74-20	20	35	29	35	3	29.5	35.0	37.5	26.0	11.5	19.5	8.5	12.5	8.5	9.5	7.5	7.5	7	M5
RM M74-22	22	37	31	37	3	29.5	35.0	37.5	26.0	11.5	19.5	8.5	12.5	8.5	9.5	7.5	7.5	7	M5
RM M74-24	24	39	33	39	3	32.0	38.0	40.0	28.5	11.5	19.5	8.5	12.5	8.5	9.5	7.5	7.5	8	M5
RM M74-25	25	40	34	40	3	32.0	38.0	40.0	28.5	11.5	19.5	8.5	12.5	8.5	9.5	7.5	7.5	8	M5
RM M74-28	28	43	37	43	3	36.0	42.0	42.5	31.0	11.5	19.5	8.5	14.0	10.0	11.0	9.0	7.5	8	M6
RM M74-30	30	45	39	45	3	39.2	45.0	42.5	31.0	11.5	19.5	8.5	14.0	11.5	11.0	10.5	7.5	8	M6
RM M74-32	32	47	42	48	3	42.2	48.0	42.5	31.0	11.5	19.5	8.5	14.0	11.5	11.0	10.5	7.5	8	M6
RM M74-33	33	48	42	48	3	44.2	50.0	42.5	31.0	11.5	19.5	8.5	14.5	12.0	11.5	10.5	7.5	8	M6
RM M74-35	35	50	44	50	3	46.2	52.0	42.5	31.0	11.5	19.5	8.5	14.5	12.0	11.5	11.0	7.5	8	M6
RM M74-38	38	55	49	56	4	49.2	55.0	45.0	31.0	14.0	22.0	10.0	14.5	11.3	11.5	10.3	9.0	8	M6
RM M74-40	40	57	51	58	4	52.2	58.0	45.0	31.0	14.0	22.0	10.0	14.5	11.8	11.5	10.8	9.0	8	M6
RM M74-43	43	60	54	61	4	53.3	62.0	45.0	31.0	14.0	22.0	10.0	17.0	13.2	14.3	12.0	9.0	8	M6
RM M74-45	45	62	56	63	4	55.3	64.0	45.0	31.0	14.0	22.0	10.0	17.0	12.8	14.3	11.6	9.0	8	M6
RM M74-48	48	65	59	66	4	59.7	68.4	45.0	31.0	14.0	22.0	10.0	17.0	12.8	14.3	11.6	9.0	8	M6
RM M74-50	50	67	62	70	4	60.8	69.3	47.5	32.5	15.0	23.0	10.5	17.0	12.8	14.3	11.6	9.5	8	M6
RM M74-53	53	70	65	73	4	63.8	72.3	47.5	32.5	15.0	23.0	12.0	17.0	13.5	14.3	12.3	11.0	8	M6
RM M74-55	55	72	67	75	4	66.5	75.4	47.5	32.5	15.0	23.0	12.0	18.0	14.5	15.3	13.3	11.0	8	M6
RM M74-58	58	79	70	78	4	69.5	78.4	52.5	37.5	15.0	23.0	12.0	18.0	14.5	15.3	13.3	11.0	9	M8
RM M74-60	60	81	72	80	4	71.5	80.4	52.5	37.5	15.0	23.0	12.0	18.0	14.5	15.3	13.3	11.0	9	M8
RM M74-63	63	84	75	83	4	74.5	83.4	52.5	37.5	15.0	23.0	12.0	18.0	14.2	15.3	13.3	11.0	9	M8
RM M74-65	65	86	77	85	4	76.5	85.4	52.5	37.5	15.0	23.0	12.0	18.0	14.2	15.3	13.0	11.0	9	M8
RM M74-68	68	89	81	90	4	82.7	91.5	52.5	34.5	18.0	26.0	12.5	19.0	14.9	16.0	13.7	11.3	9	M8
RM M74-70	70	91	83	92	4	83.0	92.0	60.0	42.0	18.0	26.0	12.5	18.0	14.2	15.3	13.0	11.3	9	M8
RM M74-75	75	99	88	97	4	90.2	99.0	60.0	42.0	18.0	26.0	12.5	18.0	15.2	15.3	14.8	11.3	10	M8
RM M74-80	80	104	95	105	4	95.2	104.0	60.0	41.8	18.2	26.2	13.0	19.0	16.2	16.3	14.8	12.0	10	M8
RM M74-85	85	109	100	110	4	100.2	109.0	60.0	41.8	18.2	26.2	15.0	19.0	16.0	16.3	14.8	14.0	10	M8
RM M74-90	90	114	105	115	4	105.2	114.0	65.0	46.8	18.2	26.2	15.0	19.0	16.0	16.3	14.8	14.0	10	M8
RM M74-95	95	119	110	120	4	111.6	120.3	65.0	47.8	17.2	25.2	15.0	20.0	17.0	17.3	15.8	14.0	10	M8
RM M74-100	100	124	115	125	4	114.5	123.3	65.0	47.8	17.2	25.2	15.0	20.0	17.0	17.3	15.8	14.0	10	M8





# RM H



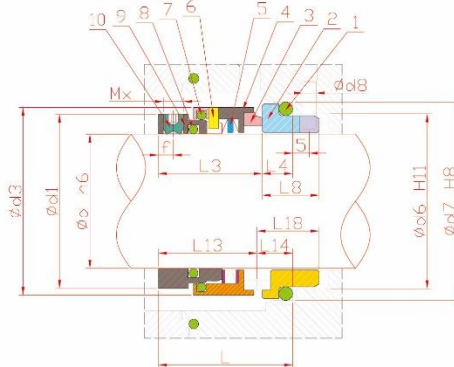
RM H

**Specification:**

No.	配件/DESCRIPTION	材料/MATERIAL
1	O形圈/O ring	NBR / VITON
2	静环/Stationary ring	SUS304
3	动环/Rotary ring	Graphite carbon/SIC
4	传动套/Retainer	SUS304
5	弹簧/Spring	SUS304
6	传动销/Drive pin	SUS304
7	O形圈/O ring	NBR / VITON
8	O形圈/O ring	NBR / VITON
9	弹簧座B/Spring seat B	SUS304
10	固定螺钉/Screw	SUS304

**Application:**

压力: 2.5MPa      Pressure: <2.5MPa  
 线速度: 15米/秒      Speed:<15M/S  
 温度: -20℃ ~ 180℃      Temperature: -20℃ ~ 180℃



**Design Feature:**

- a. 单面，平衡形。
  - b. 弹簧不能与外部的介质接触，为了提高和避免腐蚀、粘附、阻塞。
  - c. 遵行DIN24960,ISO3069和GB6556标准。
- 注：静环遵行DIN24960，别的型号的静环也能被提供。

- a. Single face, balanced.
- b. The spring is outside, not contact with the medium, in order to improve or avoid the situation of corrosion, adhere, and clog.
- c. Conform to the DIN24960, ISO3069 and GB6556 standards. NOTE Besides the stationary ring conforming to the DIN24960, other type of stationary rings can also be offered.

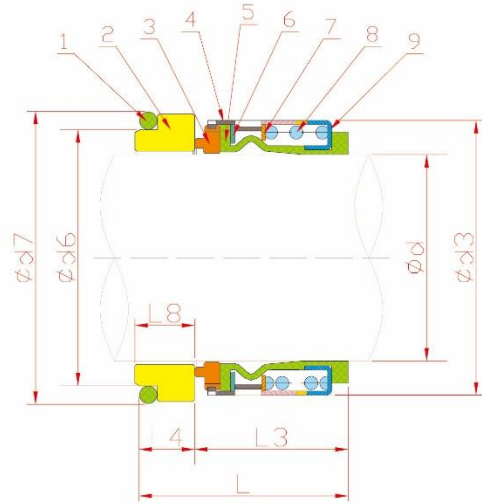
型号	d	d1	d3	d6	d7	d8	L	L3	L4	L8	L13	L14	L18	Mx	f
RM H-18	18	26	32	27	33	3	37.5	30.5	7	15	28.5	9	17	M4	3
RM H-20	20	28	34	29	35	3	37.5	30.5	7	15	28.5	9	17	M4	3
RM H-22	22	30	36	31	37	3	37.5	30.5	7	15	28.5	9	17	M4	3
RM H-24	24	32.5	38	33	39	3	40	33	7	15	31	9	17	M5	3.5
RM H-25	25	33.5	39	34	40	3	40	33	7	15	31	9	17	M5	3.5
RM H-28	28	36.5	42	37	43	3	42.5	35.5	7	15	33	9.5	17.5	M5	3.5
RM H-30	30	38.5	44	39	45	3	42.5	35.5	7	15	33	9.5	17.5	M5	3.5
RM H-32	32	41.5	47	42	48	3	42.5	35.5	7	15	33	9.5	17.5	M5	3.5
RM H-33	33	41.5	47	42	48	3	42.5	35.5	7	15	33	9.5	17.5	M5	3.5
RM H-35	35	43.5	49	44	50	3	42.5	35.5	7	15	33	9.5	17.5	M5	3.5
RM H-38	38	47.5	54	49	56	4	45	37	8	16	34.5	10.5	18.5	M5	4
RM H-40	40	49.5	56	51	58	4	45	37	8	16	34.5	10.5	18.5	M5	4
RM H-43	43	52.5	59	54	61	4	45	37	8	16	34.5	10.5	18.5	M5	4
RM H-45	45	54.5	61	56	63	4	45	37	8	16	34.5	10.5	18.5	M5	4
RM H-48	48	57.5	64	59	66	4	45	37	8	16	34.5	10.5	18.5	M5	4
RM H-50	50	59.5	66	62	70	4	47.5	38	9.5	17	35.5	12	19.5	M6	4.5
RM H-53	53	62.5	69	65	73	4	47.5	38	9.5	17	35.5	12	19.5	M6	4.5
RM H-55	55	64.5	71	67	75	4	47.5	38	9.5	17	35.5	12	19.5	M6	4.5
RM H-58	58	68.5	78	70	78	4	52.5	42	10.5	18	39.5	13	20.5	M6	4.5
RM H-60	60	70.5	80	72	80	4	52.5	42	10.5	18	39.5	13	20.5	M6	4.5
RM H-63	63	73.5	83	75	83	4	52.5	42	10.5	18	39.5	13	20.5	M6	4.5
RM H-65	65	75.5	85	77	85	4	52.5	42	10.5	18	39.5	13	20.5	M6	4.5
RM H-68	68	78.5	88	81	90	4	52.5	41.5	11	18.5	39	13.5	21	M6	4.5
RM H-70	70	80.5	90	83	92	4	60	48.5	11.5	19	46	14	21.5	M6	5.5
RM H-75	75	89	99	88	97	4	60	48.5	11.5	19	46	14	21.5	M8	5.5
RM H-80	80	94	104	95	105	4	60	48.5	11.5	19	46	14	21.5	M8	5.5
RM H-85	85	99	109	100	110	4	60	48.5	11.5	19	46	14	21.5	M8	5.5
RM H-90	90	104	114	105	115	4	65	52	13	20.5	49.5	15.5	23	M8	5.5
RM H-95	95	109	119	110	120	4	65	52	13	20.5	49.5	15.5	23	M8	5.5
RM H-100	100	114	124	115	125	4	65	52	13	20.5	49.5	15.5	23	M8	5.5



## RM 502



RM 502



■ Specification:

No.	配件/DESCRIPTION	材料/MATERIAL
1	O形圈/O ring	NBR / VITON
2	静环/Stationary ring	Alumina ceramic/SiC
3	动环/Rotary ring	Graphite carbon/SiC
4	传动套/Retainer	SUS304
5	橡胶波纹管/Bellows	NBR / VITON
6	挡圈A/Closing ring A	SUS304
7	挡圈B/Closing ring B	SUS304
8	弹簧/Spring	SUS304
9	弹簧座/Spring seat	SUS304

■ Application:

压力: 2.8MPa  
 线速度: 13米/秒  
 温度: -30℃ ~ 180℃

Pressure: 2.8MPa  
 Speed: 13M/S  
 Temperature: -30℃ ~ 180℃

型号	d	d3	d6	d7	L	L3	L4	L8
RM 502-14	14	24	21	25	35	23	12	12.5
RM 502-16	16	26	23	27	35	23	12	12.5
RM 502-18	18	32	27	33	37.5	24	13.5	14.5
RM 502-20	20	34	29	35	37.5	24	13.5	14.5
RM 502-22	22	36	31	37	37.5	24	13.5	14.5
RM 502-24	24	38	33	39	40	26.7	13.3	14.3
RM 502-25	25	39	34	40	40	27	13	14
RM 502-28	28	42	37	43	42.5	30	12.5	13.5
RM 502-30	30	44	39	45	42.5	30.5	12	13
RM 502-32	32	46	42	48	42.5	30.5	12	13
RM 502-33	33	47	42	48	42.5	30.5	12	13
RM 502-35	35	49	44	50	42.5	30.5	12	13
RM 502-38	38	54	49	56	45	32	13	14
RM 502-40	40	56	51	58	45	32	13	14
RM 502-43	43	59	54	61	45	32	13	14
RM 502-45	45	61	56	63	45	32	13	14
RM 502-48	48	64	59	66	45	32	13	14
RM 502-50	50	66	62	70	47.5	34	13.5	14.5
RM 502-53	53	69	65	73	47.5	34	13.5	14.5
RM 502-55	55	71	67	75	47.5	34	13.5	14.5
RM 502-58	58	78	70	78	52.5	39	13.5	14.5
RM 502-60	60	80	72	80	52.5	39	13.5	14.5
RM 502-63	63	83	75	83	52.5	39	13.5	14.5
RM 502-65	65	85	77	85	52.5	39	13.5	14.5
RM 502-68	68	88	81	90	52.5	39	13.5	14.5



RM U4

RM 250



RM U4

RM 250

Specification:

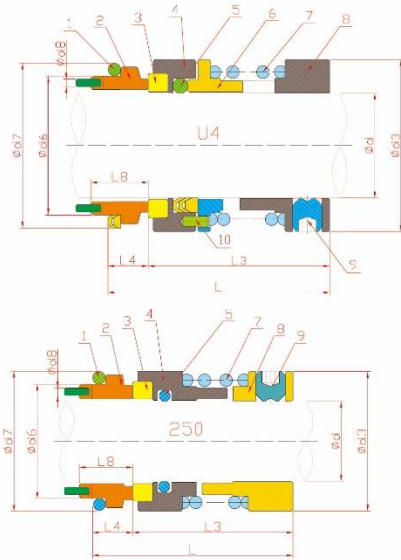
No.	配件/DESCRIPTION	材料/MATERIAL
1	O形圈/O ring	NBR / VITON/PTFE
2	静环/Stationary ring	Graphite carbon/SiC
3	动环/Rotary ring	Graphite carbon/SiC
4	传动套/Retainer	SUS304
5	O形圈/O ring	NBR / VITON/PTFE
6	挡圈/Closing ring	SUS304
7	弹簧/Spring	SUS304
8	弹簧座/Spring seat	SUS304
9	固定螺钉/Screw	SUS304
10	传动销/Drive pin	SUS304

Application:

压力: 0-1.0MPa  
 温度: -20℃ ~ 220℃  
 粘性: < 150000CP  
 介质:水, 油, 硫酸, 碱, 高的粘性流体, 浆料等。  
 Medium:water,oil, crystallizing acid, alkali,high viscosity liquid, pulp,etc.  
 Pressure: 0-1.0MPa  
 Temperature: -20℃ ~ 220℃  
 Viscosity: < 150000CP

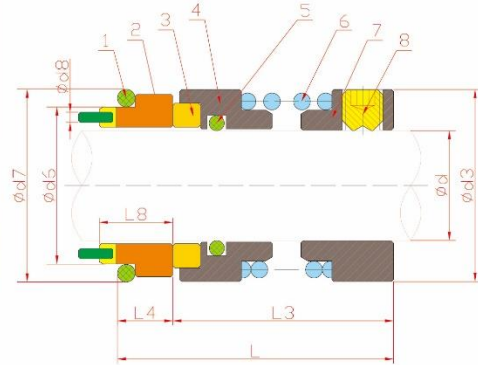
Design Feature:

- a.单弹簧。岔口驱动弹簧转动, 高防阻塞性, 独立的转动性。
- b.辅助密封圈根据不同的情况可选用橡胶O形圈或聚四氟乙烯V形圈。
- c.遵行DIN24960,ISO3069和GB6556标准。  
 注: 本型除提供符合DIN标准的静环外, 还可提供世界流行的其他型式的静环。
- a.single spring tupe.Fork-groove drive,High ability of clogging-resist, Independeng of roation direction.
- b.According to the different conditions,secondary seal can select rubber O-ring , or PTFE V-ring.
- c.Conform to IS03069,DIN4690 and Gb6556 standards,  
 Note:Beside the standard sized stationary rings conformend to DIN24960.Other kinds of stationary rings used by international companies can be provided too.



型号	d	d3	d6	d7	d8	L	L3	L4	L8
RM U4(250)-18	18	32	27	33	3	45	35	10	17.5
RM U4(250)-20	20	34	29	35	3	45	35	10	17.5
RM U4(250)-22	22	36	31	37	3	46	36	10	17.5
RM U4(250)-24	24	38	33	39	3	49	38.5	10.5	18.5
RM U4(250)-25	25	39	34	40	3	49	38.5	10.5	18.5
RM U4(250)-28	28	42	37	43	3	49.5	38	11.5	19.5
RM U4(250)-30	30	44	39	45	3	50	38.5	11.5	19.5
RM U4(250)-32	32	46	42	48	3	51.5	40	11.5	19.5
RM U4(250)-33	33	47	42	48	3	51.5	40	11.5	19.5
RM U4(250)-35	35	49	44	50	3	51.5	40	11.5	19.5
RM U4(250)-38	38	54	49	56	4	55	42	13	21
RM U4(250)-40	40	56	51	58	4	55	42	13	21
RM U4(250)-43	43	59	54	61	4	58	45	13	21
RM U4(250)-45	45	61	56	63	4	58	45	13	21
RM U4(250)-48	48	64	59	66	4	59	45	14	22
RM U4(250)-50	50	66	62	70	4	60	46	14	22
RM U4(250)-53	53	69	65	73	4	64.5	50.5	14	22
RM U4(250)-55	55	71	67	75	4	66.5	52.5	14	22
RM U4(250)-58	58	78	70	78	4	69.5	55.5	14	22
RM U4(250)-60	60	80	72	80	4	69.5	55.5	14	22
RM U4(250)-63	63	83	75	83	4	71.5	57.5	14	22
RM U4(250)-65	65	85	77	85	4	74.5	60.5	14	22
RM U4(250)-68	68	88	81	90	4	75.5	59	16.5	24.5
RM U4(250)-70	70	90	83	92	4	79.5	63	16.5	24.5
RM U4(250)-75	75	98	88	97	4	80	63.5	16.5	24.5
RM U4(250)-80	80	103	95	105	4	83.5	67	16.5	24.5
RM U4(250)-85	85	108	100	110	4	83.5	67	16.5	24.5
RM U4(250)-90	90	113	105	115	4	85.5	69	16.5	24.5
RM U4(250)-95	95	118	110	120	4	86.5	70	16.5	24.5
RM U4(250)-100	100	123	115	125	4	86.5	70	16.5	24.5

# RM 1527



**Specification:**

No.	配件/DESCRIPTION	材料/MATERIAL
1	O形圈/O ring	NBR / VITON
2	静环/Stationary ring	SIC/TC
3	动环/Rotary ring	Graphite carbon/SIC/TC
4	传动套/Retainer	SUS304
5	O形圈/O ring	NBR / VITON
6	弹簧/Spring	SUS304
7	弹簧座/Spring seat	SUS304
8	固定螺钉/Screw	SUS304

**Application:**

密封腔压力: 1.0MPa  
 密封腔温度: -20℃~200℃  
 线速度: 10m/s

Pressure: 1.0MPa  
 Temperature: -20℃~200℃  
 Speed:10m/s

型号	d	d3	d6	d7	d8	L	L3	L4	L8
RM 1527-18	18	32	27	33	3	45	35	10	17.5
RM 1527-20	20	34	29	35	3	45	35	10	17.5
RM 1527-22	22	36	31	37	3	45	35	10	17.5
RM 1527-24	24	38	33	39	3	50	40	10	17.5
RM 1527-25	25	39	34	40	3	50	40	10	17.5
RM 1527-28	28	42	37	43	3	50	40	10	17.5
RM 1527-30	30	44	39	45	3	50	40	10	17.5
RM 1527-32	32	46	42	48	3	55	45	10	17.5
RM 1527-33	33	47	42	48	3	55	45	10	17.5
RM 1527-35	35	49	44	50	3	55	45	10	17.5
RM 1527-38	38	54	49	56	4	55	44	11	18.5
RM 1527-40	40	56	51	58	4	55	44	11	18.5
RM 1527-43	43	59	54	61	4	60	49	11	18.5
RM 1527-45	45	61	56	63	4	60	49	11	18.5
RM 1527-48	48	64	59	66	4	60	49	11	18.5
RM 1527-50	50	66	62	70	4	60	47	13	21
RM 1527-53	53	69	65	73	4	70	57	13	21
RM 1527-55	55	71	67	75	4	70	57	13	21
RM 1527-58	58	78	70	78	4	70	57	13	21
RM 1527-60	60	80	72	80	4	70	57	13	21
RM 1527-63	63	83	75	83	4	70	57	13	21
RM 1527-65	65	85	77	85	4	80	67	13	21
RM 1527-68	68	88	81	90	4	80	64.7	15.3	23.3
RM 1527-70	70	90	83	92	4	80	64.7	15.3	23.3
RM 1527-75	75	99	88	97	4	80	64.7	15.3	23.3
RM 1527-80	80	104	95	105	4	90	74.3	15.7	23.7
RM 1527-85	85	109	100	110	4	90	74.3	15.7	23.7
RM 1527-90	90	114	105	115	4	90	74.3	15.7	23.7
RM 1527-95	95	119	110	120	4	90	74.3	15.7	23.7
RM 1527-100	100	124	115	125	4	90	74.3	15.7	23.7



# RM X RM XD



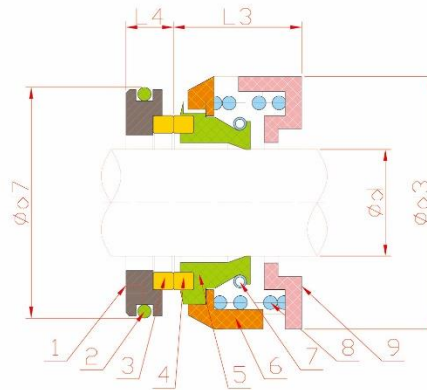
## RM X

**Specification:**

No.	配件/DESCRIPTION	材料/MATERIAL
1	静环座/Stationary seat	SUS304
2	O形圈/O ring	NBR / VITON
3	静环/Stationary ring	SIC/TC
4	动环/Rotary ring	SIC/TC
5	橡胶波纹管/Bellows	NBR / VITON
6	传动套/Retainer	Bakelite
7	拉簧/Extensi on spring	SUS304
8	弹簧/Spring	SUS304
9	弹簧座/Spring seat	Bakelite

**Application:**

压力: 1MPa                      Pressure: 1MPa  
 线速度: 5米/秒                Speed: 5M/S  
 温度: -30℃ ~ 200℃        Temperature: -30℃~200℃



型号	d	d3	d7	L3	L4
RM X-20	20	42.5	55.5	11	25
RM X-22	22	47	45.5	9	23.5
RM X-25	25	54	50.5	10	28.5
RM X-28	28	54	50.5	10	28.5
RM X-30	30	54	50.5	10	28.5
RM X-35	35	62	60.5	11	28.8



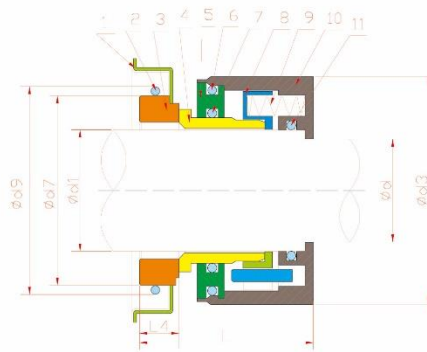
## RM XD

**Specification:**

No.	配件/DESCRIPTION	材料/MATERIAL
1	静环座/Stationary seat	SUS304+NBR
2	O形圈/O ring	NBR / VITON
3	静环/Stationary ring	SIC/TC
4	动环/Rotary ring	SIC/TC
5	动环座/Rotary ring seat	SUS304
6	O形圈/O ring	NBR / VITON
7	O形圈/O ring	NBR / VITON
8	弹簧座/Spring seat	SUS304
9	弹簧/Spring	SUS304
10	传动套/Retainer	SUS304
11	O形圈/O ring	NBR / VITON
12	传动销/Drive pin	SUS304

**Application:**

压力: 1.2MPa                    Pressure: 1.2MPa  
 线速度: 10米/秒                Speed:10M/S  
 温度: -30℃ ~ 200℃        Temperature: -30℃~200℃



型号	d	d1	d3	d7	d9	L	L4
RM XD-30	30	/	47	50	/	/	13
RM XD-35	30	35	67	53.5	60.3	42.8	10.3

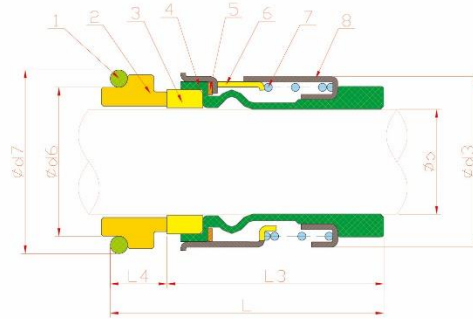
RM CR RM GRF



RM CR

■ Specification:

No.	配件/DESCRIPTION	材料/MATERIAL
1	O形圈/O ring	NBR / VITON
2	静环/Stationary ring	Graphite carbon/SIC/TC
3	动环/Rotary ring	SIC/TC
4	橡胶波纹管/Bellows	NBR / HNBR
5	挡圈/Closing ring	SUS304
6	传动套/Retainer	SUS304
7	弹簧/Spring	SUS304
8	弹簧座/Spring seat	SUS304



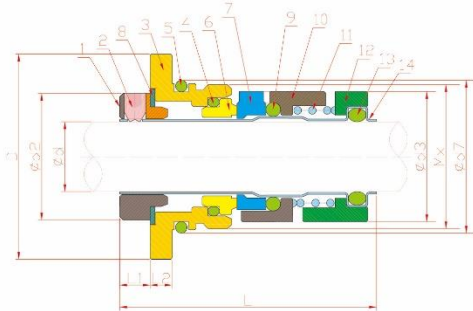
型号	d	d3	d6	d7	L	L3	L4
RM CR-12	12	22	19	23	38	30.3	7.7
RM CR-16	16	26	23	27	39	30.3	8.7



RM GRF

■ Specification:

No.	配件/DESCRIPTION	材料/MATERIAL
1	固定座/fixing seat	SUS304
2	固定螺钉/Screw	SUS304
3	静环座/Stationary seat	SUS304
4	O形圈/O ring	NBR / VITON
5	O形圈/O ring	NBR / VITON
6	静环/Stationary ring	Graphite carbon/SIC
7	动环/Rotary ring	SIC/TC
8	挡圈/Closing ring	PTFE
9	O形圈/O ring	NBR / VITON
10	传动套/Retainer	SUS304
11	弹簧/Spring	SUS304
12	弹簧座/Spring seat	SUS304
13	O形圈/O ring	NBR / VITON
14	轴套/Shaft sleeve	SUS304



型号	d	d2	d3	d7	D	L	L1	L2
RM GRF-12	12	25	25	29	六方40.5*36	57	7	4
RM GRF-16	16	29	29	33	六方46.5*41	57	7	4
RM GRF-22	22	39	43	50	60	72	15	5



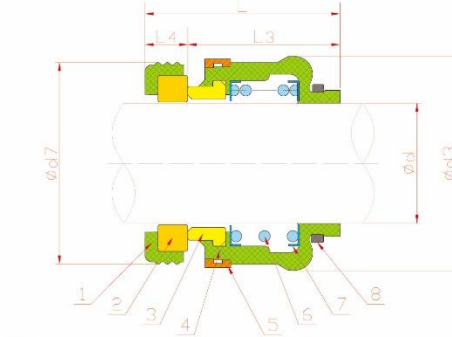
## RM KB RM787



**RM KB**

**Specification:**

No.	配件/DESCRIPTION	材料/MATERIAL
1	橡胶套/Cup Gasket	NBR / HNBR / VITON
2	静环/Stationary ring	Alumina ceramic/SIC/TC
3	动环/Rotary ring	Graphite carbon/SIC/TC
4	橡胶波纹管/Bellows	NBR / HNBR
5	紧圈A/Drive ring A	SUS304
6	弹簧/Spring	SUS304
7	弹簧座/Spring seat	SUS304
8	紧圈B/Drive ring B	SUS304



**Application:**

压力: 1.2MPa      Pressure: 1.2MPa  
 线速度: 13米/秒      Speed: 13M/S  
 温度: -30℃ ~ 200℃      Temperature: -30℃ ~ 200℃

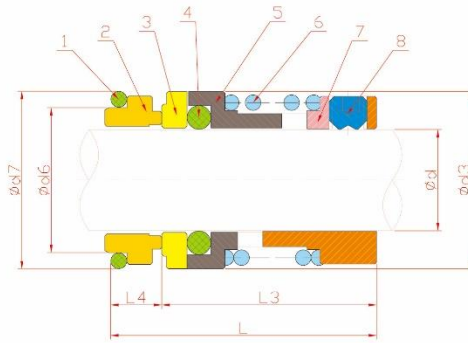
型号	d	d3	d7	L	L3	L4
RM KB-28	28	50	44	40	30	10
RM KB-35	35	65	54	46	35.5	10.5
RM KB-50	50	76	70	57	45	12



**RM 787**

**Specification:**

No.	配件/DESCRIPTION	材料/MATERIAL
1	O形圈/O ring	NBR / VITON
2	静环/Stationary ring	Graphite carbon/SIC/TC
3	动环/Rotary ring	SIC/TC
4	传动套/Retainer	SUS304
5	O形圈/O ring	NBR / VITON
6	弹簧/Spring	SUS304
7	弹簧座/Spring seat	SUS304
8	固定螺钉/Screw	SUS304



**Application:**

压力: 1.2MPa      Pressure: 1.2MPa  
 转速: 3000r/min      Rotation Speed:3000r/min  
 温度: -30℃ ~ 180℃      Temperature: -30℃ ~ 180℃

型号	d	d3	d6	d7	L	L3	L4
RM 787-12	12	22	19	23	33	25.5	7.5
RM 787-16	16	28	23	27	42	34	8

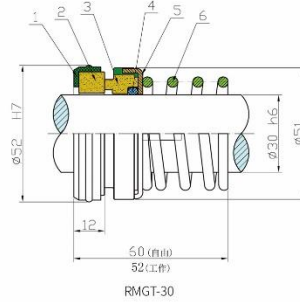
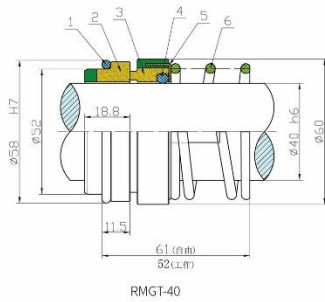
# RM GT RM CH2



RM GT

NO.	配件 /DESCRIPTION	材料 /MATERIALS
1	静胶套 /Cup Gasket	氟胶 /VITON
2	静环 /Stationary ring	碳化硅 /SiC
3	动环 /Rotary ring	浸制石墨 /M106K
4	动圈 /Rotary O ring	氟胶 /VITON
5	传动座 /Retainer	不锈钢 304/SUS304
6	弹簧 /Spring	不锈钢 304/SUS304

Application:  
 Pressure: 0.80Mpa  
 Speed: 12m/s  
 Temperature: (-40°C -180°C)

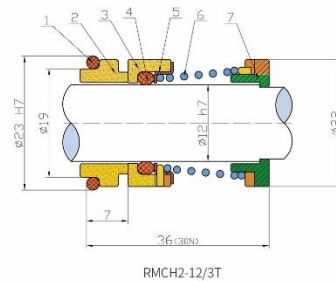
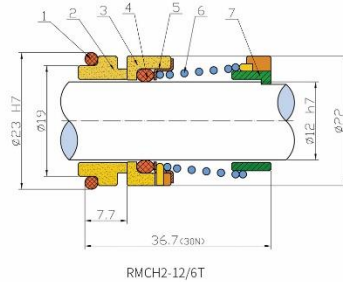


RM CH2

Model	d	d7	Spring seat
RM CH2-12/3T	12	23	3 grooves
RM CH2-12/6T	12	23	6 grooves

NO.	配件 /DESCRIPTION	材料 /MATERIALS
1	静圈 /Stationary O ring	氟胶 /VITON
2	静环 /Stationary ring	浸制石墨 /M106K
3	动环 /Rotary ring	碳化硅 /SiC
4	动 O /Rotary ring O ring	氟胶 /VITON
5	推环 /Gasket ring	不锈钢 304/SUS304
6	弹簧 /Spring	不锈钢 304/SUS304
7	弹簧座 /Spring seat	Al

Application:  
 Pressure: 1.0Mpa  
 Speed: 10m/s  
 Temperature: (-30°C -180°C)



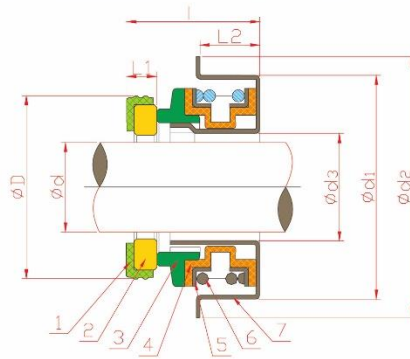
## RM F



## RM F

## ■ Specification:

序号/ITEM	配件/DESCRIPTION	材料/MATERIAL
1	橡胶套/Cup Gasket	NBR / HNBR
2	动环/Rotary ring	Alumina ceramic/SiC
3	静环/Stationary ring	Graphite carbon/SiC
4	橡胶波纹管/Bellows	NBR / HNBR
5	弹簧座/Spring seat	SUS304
6	弹簧/Spring	SUS304
7	底座/Bed	SUS304



## ■ Application:

Pressure: 0.5MPa  
 Speed:5m/s  
 Temperature: -20℃~+200℃

型号/Model	d	d3	d1	d2	D	L	L1	L2
RM F-10	10	11	24	29	23	17	4	7
RM F-12S	12	14	28.55	32	25	18.2	5	8
RM F-12M	12	14	30	35	24/23	18	5	8
RM F-12L	12	14	33.4	38	25	18	5	6.7
RM F-16M	16	18.2	36.45	41.5	31	19.8	5	8
RM F-16L	16	18.2	38.1	43.5	31	19.8	5	8
RM F-20S	20	21.4	38.1	43.8	35	20.5	5.5	9.5
RM F-20	20	21.4	40	43.8	35	20.5	5.5	9.5
RM F-25	25	26.4	47	51	44	25	7	10
RM F-25L	25	26.4	52	57	44	25	7	10
RM F-30	30	30.6	52	57	48	27	8	11
RM F-1/2"	12.7	14	30	35	25.4	19.2	6.2	8
RM F-5/8"	15.875	18.2	36.45	41.5	31.75	25	10.3	8
RM F-3/4"	19.05	21.4	40	43.8	34.925	25.8	10.3	9.5
RM F-1/1"	25.4	26.4	47	51	41.275	29	11.1	10
RM F-11/8"	28.575	30.6	52	57	47.625	30	11.1	11

There are also Mechanical seal catalog (1) and Automotive pump seal catalog (3).  
 For more information, Pls visit us in [www.rimiseal.com](http://www.rimiseal.com)





Xylem Flygt Pumps	Shaft Size	Seal Code
2610, 2620, 2630, 2640, 4610&4620	20mm	FS20
2660, 4630&4640	25mm	FS25
2670, 3153, 5100.210, 5100.211, 5100.220&5100.221	35mm	FS35
3171, 4650, 4660, 5100.250, 5100.251, 5100.260&5100.261	45mm	FS45
3202, 4670, 4680, 5100.300, 5100.310, 5150.300&5150.310	60mm	FS60
3301, 5150.350&5150.360	90mm	FS90



GLF-BUSH	GLF-D-12	GLF-E-12	GLF-E-16
GLF-E-22	GLF-F-16	GLF-SA-32I	GLF-SA-32S
GLF-SA-38I	GLF-SA-38S	GLF-SA-50I	GLF-SA-50S
GLF-SA-65I	GLF-SA-65S	GLF-SE-22	GLF-SE-32



Flygt Pump Model	Shaft Size	XGS Upper Seal	XGS Lower Seal
3085-091,3085-120,3085-170,3085-171,3085-181,3085-290,3085-290,3085-890	20mm	FS-G-U20	FS-G-L20 or FS-H-L20
3101	28mm	FS-B-U28	FS-B-L28
3102	25mm	FS-J-U25	FS-J-L25
3126-80,3126-180	35mm	FS-K-U35	FS-K-L35
3126-81, 3126-280, 3126-290	35mm	FS-K-U35	FS-M-L35
3126-181,3127	35mm	FS-M-U35	FS-M-L35
3140, 3152	45mm	FS-O-U45	FS-O-L45
3170,3201	60mm	FS-Q-U60	FS-Q-L60
3200	60mm	FS-P-U60	FS-P-L60
3230, 3300-81, 3300-181,3300-280, 3300-290,3305	90mm	FS-S-U90	FS-S-L90
3310, 3311, 3312, 3350, 3351	90mm-120mm	FS-S-U90	FS-T-L120
3355, 3356, 3357	90mm	FS-S-U90	FS-S-L90
3500, 3501,3530,3531,3500,3601, 3602	90mm-120mm	FS-S-U90	FS-T-L120
4351, 4352, 4400	20mm	FS-G-U20	FS-H-L20
4410, 4430	60mm	FS-Q-U60	FS-Q-L60
4440, 5530	35mm	FS-M-U35	FS-M-L35
4650, 4660	45mm	FS-O-U45	FS-O-L45
4670, 4680, 7045	60mm	FS-Q-U60	FS-Q-L60
7050, 7051, 7055, 7090,7061,7076, 7156	90mm	FS-S-U90	FS-S-L90
7080, 7115	90mm-80mm/90mm-120mm	FS-S-U90	FS-S-L60/FS-T-L120
7570, 7585	90mm-120mm	FS-S-U90	FS-T-L120
Grindex Maxor, Matador,Mdk, Minette, Salvador	25mm-24mm	FS-Z-U25	FS-Z-L24
Grindex Maxi	45mm	FS-O-U45	FS-N-L45
Ready maxis 4, 8, 12 & 16	15mm	FS-D-U15	FS-D-L20
Ready 24	20mm	FS-A-U20	FS-A-L20
Ready 90	28mm	FS-L-U28	FS-L-L28
Steady 7	20mm	FS-G-U20	FS-G-L20
600	60mm	FS-Q-U60	FS-Q-L60
605, 615, 665, 670, 680	90-80mm	FS-S-U90	FS-S-L80
705, 715, 720, 721, 735, 745, 760, 765, 770, 775	90mm-80mm/90mm-120mm	FS-S-U90	FS-S-L80/FS-T-L120
820, 840, 841, 860, 880, 881, 900	90mm-80mm/90mm-120mm	FS-S-U90	FS-S-L80/FS-T-L120
2004, 2008, 2012, 2016	15mm	FS-D-U15	FS-D-L20
2004	20mm	FS-A-U20	FS-A-L20
2050, 2052	15mm	FS-D-U15	FS-D-L20
2060	20mm	FS-G-U20	FS-G-L20
2066	20mm	FS-A-U20	FS-A-L20
2070	22mm	FS-E-U22	FS-E-L22
2071	22mm	FS-E-U22	FS-E-L22
2075	20mm	FS-A-U20	FS-A-L20
2082, 2090, 2125, 2140	28mm	FS-L-U28	FS-L-L28
2084, 2135	35mm	FS-K-U35	FS-K-L35
2101	20mm	FS-A-U20	FS-A-L20
2102-40	22mm	FS-E-U22	FS-E-L22
2151-10	35mm	FS-K-U35	FS-K-L35
2151-11, 2151-50	35mm	FS-K-U35	FS-L-L35
2201-10,2201-320,2201-430,2201-480	45mm-35mm	FS-O-U45	FS-N-L35
2201-690, 2201-690	45mm	FS-O-U45	FS-O-L45
2201-11L1T or MT	45mm	FS-N-U45	FS-N-L45
2201-11L1T	45mm	FS-O-U45	FS-N-L45
2250, 2290	60mm	FS-P-U60	FS-P-L60
2400	60mm	FS-R-U60	FS-R-L60
3041-281	20mm	FS-G-U20	FS-G-L20
3057	20mm	FS-G-U20	FS-H-L20
3057-180,3060	20mm	FS-G-U20	FS-G-L20
3065	20mm	FS-A-U20	FS-A-L20
3067-170,3067-250,3068	20mm	FS-G-U20	FS-G-L20
3080	20mm	FS-A-U20	FS-A-L20



Xylem Flygt Pumps	Shaft Size	Seal Code
2610, 2620, 2630, 2640, 4610&4620	20mm	FSVC20
2660, 4630&4640	25mm	FSVC25
2670, 3153, 5100.210, 5100.211, 5100.220&5100.221	35mm	FSVC35
3171, 4650, 4660, 5100.250, 5100.251, 5100.260&5100.261	45mm	FSVC45
3202, 4670, 4680, 5100.300, 5100.310, 5150.300&5150.310	60mm	FSVC60
3301, 5150.350&5150.360	90mm	FSVC90

## GRUNDFOS WATER PUMP PARTS

Tungsten carbide shaft sleeve



Water pump parts



Water pump shaft



Grundfos shaft seal



There are also Mechanical seal catalog (1) and Automotive pump seal catalog (3).  
For more information, Pls visit us in [www.rimiseal.com](http://www.rimiseal.com)